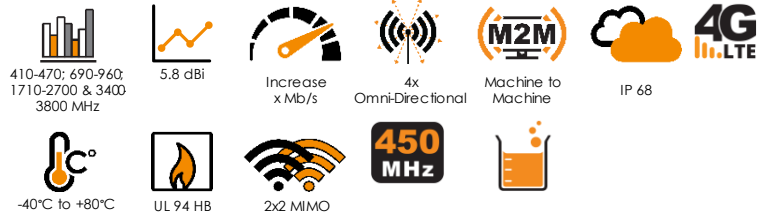


## 2 - IN - 1 TRANSPORTATION & AUTOMOTIVE ANTENNA 2X2 LTE (MIMO)



- **2-in-1 high performance multi frequency 2G/3G/4G/LTE antenna (5G Ready)**
- **2 x MiMo LTE**
- **Ultra-Wideband, includes 450MHz and 3.5GHz CBRS Bands**
- **Robust and water resistant (IP 68) antenna**
- **Ideal for transportation & marine use**
- **Multi mounting options for easy installation**



### Product Overview

The MIMO-3-V2-12 consists of a 2-in-1 antenna system within a single housing, providing 2x Cellular. This antenna is specifically designed for the transportation and marine industry. The 2x Cellular MIMO antennas (for 2G/3G/4G) covers the contemporary 690MHz to 2700MHz bands, as well as the new emerging LTE and 5G spectrum for 450MHz and 3.5GHz CBRS bands, which is becoming popular across the various international cellular network operators for LTE. This antenna, due to its wide band capabilities, can be used across different operators and technologies and is ready for future cellular technologies such as 5G up to 3.8GHz. The antenna exceeds the performance of most competitors due to the attention to the design of this high-performance antenna. The radiation patterns of all radiating elements provide an excellent balance between omnidirectionality, pattern diversity and good radiation abilities at the desired elevation, which is important for this type of antenna, especially for the transportation and marine market. Main applications are for commercial/industrial vehicles, marine, M2M and other IoT systems using a wide range of radio technologies, while remaining futureproof over the wide frequency band offered by this antenna.

### Features

- Ultra-wideband 410MHz to 470MHz, 690MHz to 2700MHz and 3400MHz to 3800MHz bands
- Cleverly designed decorrelated antennas give superior MIMO performance in the cellular bands
- Above features maintained from 698MHz to 5800MHz in relevant bands, including the 450MHz band
- Careful mechanical design provides ruggedness, corrosion, water, dust resistance (IP 68)

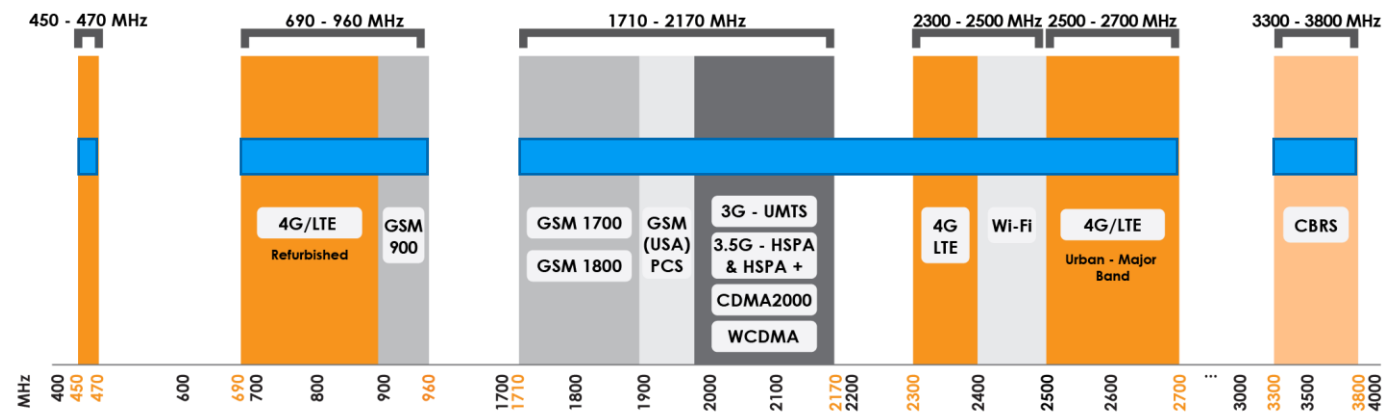
### Application Areas

- Transport broadband, automation and telemetry for Buses, Utility, Trucking & Public Safety vehicles
- Industrial factory automation, robotic machinery and other M2M systems telemetry
- Farming & Agricultural automation such as M2M & IoT
- Broadband cellular distribution for Marine / Boats (inland and near coastal vessels)
- Mining Vehicles & Machinery communications, telemetry and automation (M2M & IoT)



### Frequency Bands - Cellular

The MIMO-3-V2-12 is suitable for the following frequency bands | 410-470 MHz | 690-960 MHz | 1710-2170 MHz | 2300-2500 MHz | 2500-2700 MHz | 3400-3800 MHz |



Indicates the frequency bands which MIMO-3-V2-12 supports

### Antenna Overview

| Ports             | 1 & 2              | N/A | N/A |
|-------------------|--------------------|-----|-----|
| SISO / MIMO       | 2x2 MIMO           | N/A | N/A |
| Frequency Bands   | 410 MHz - 3800 MHz | N/A | N/A |
| Peak Gain         | 5.8 dBi            | N/A | N/A |
| Coax Cable Type   | Twin HDF-195       | N/A | N/A |
| Coax Cable Length | 2m                 | N/A | N/A |
| Connector Type    | SMAMale            | N/A | N/A |

## Electrical Specifications - Cellular

|                        |  |
|------------------------|--|
| Frequency bands:       | 410-470 MHz<br>690-960 MHz<br>1710-2700 MHz<br>3400-3800 MHz                               |
| Gain (max) Port 1 & 2: | 5.8 dBi  |
| VSWR Port 1 & 2:       | ≤2.5:1   |
| Feed power handling:   | 10 W   |
| Input impedance:       | 50 Ohm (nominal)   |
| Polarisation:          | Linear Vertical  |
| Coax cable loss:       | 0.35 dB/m @ 900 MHz<br>0.53 dB/m @ 2000 MHz<br>0.6 dB/m @ 2500 MHz<br>0.72 dB/m @ 3500 MHz |
| Path to Ground:        | Yes  |

## Coax Cable & Connector Type -Cellular

|                  |              |
|------------------|--------------|
| Cable length:    | 2m ±5%       |
| Coax cable type: | Twin HDF 195 |
| Connector type:  | SMA (Male)   |

*\*The coax cables & connectors are factory mounted to the antenna*

## Product Box Contents

|                   |   |
|-------------------|---|
| Antenna:          | A-MIMO-0003-V2-12   |
| Mounting bracket: | Threaded Spigots (Up to 60mm clamping thickness), Adhesive Surface Mounting & Optional Magnetic Mount |

## Ordering Information

|                     |                   |
|---------------------|-------------------|
| Commercial name:    | MIMO-3-V2-12      |
| Order product code: | A-MIMO-0003-V2-12 |
| EAN number:         | 0707273470300     |

## Mechanical Specifications

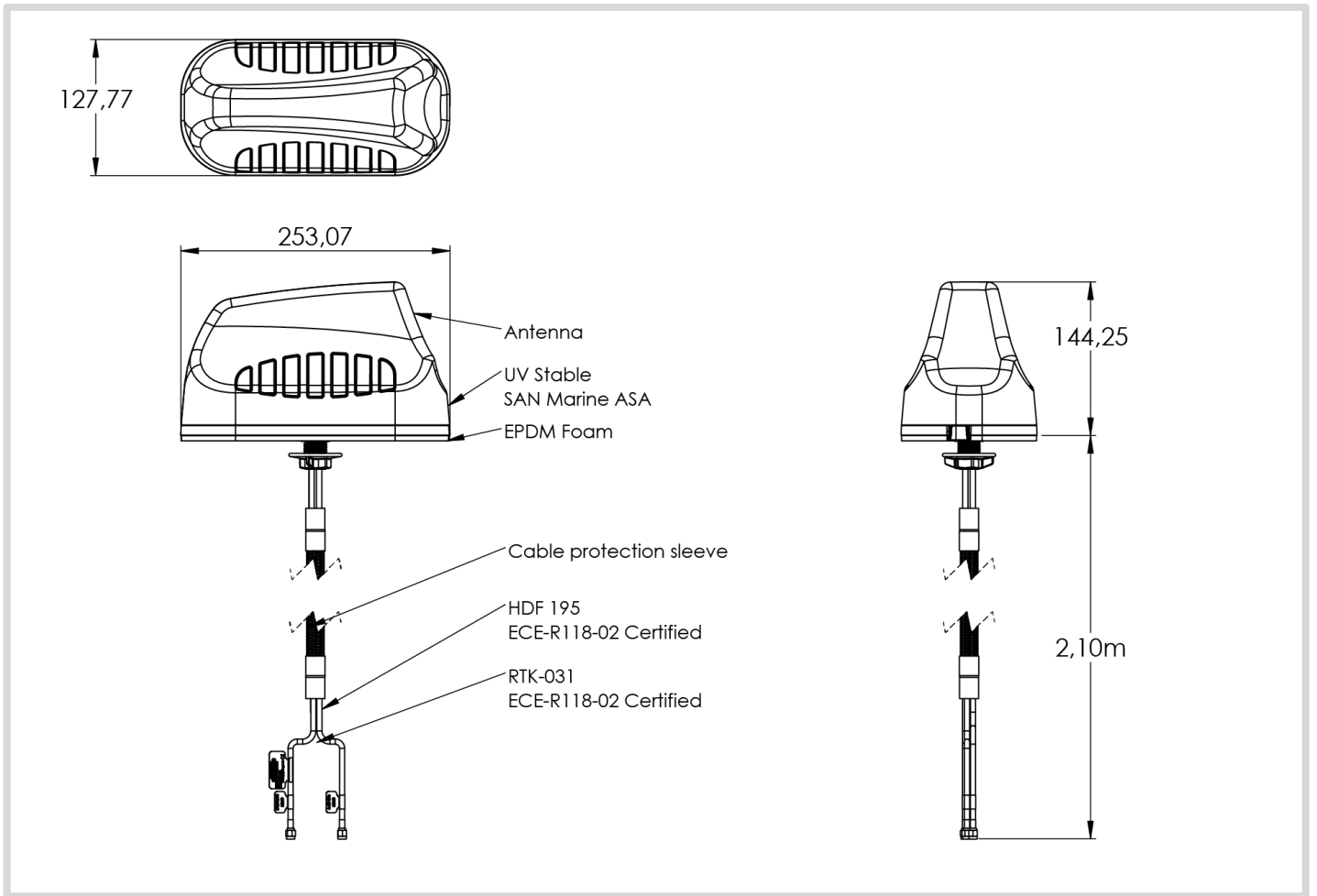
|                      |  |
|----------------------|--|
| Product dimensions   | 253 mm x 128 mm x 144 mm                   |
| Packaged dimensions: | 265 mm x 211 mm x 204 mm                   |
| Weight:              | 1.10 kg                                    |
| Packaged weight:     | 1.21 kg                                    |
| Radome material:     | UV Stable SAN Marine ASA                   |
| Radome colour:       | Brilliant White<br>Pantone P 179-1 C       |
| Mounting Type:       | Spigot, Surface with Magnetic mount option |

## Environmental Specifications, Certification & Approvals

|  |   |
|--|---|
| Wind Survival:                           | <220 km/h   |
| Temperature Range (Operating):           | -40°C to +80°C                                    |
| Environmental Conditions:                | Outdoor/Indoor                                    |
| Water ingress protection ratio/standard: | IP 68   |
| Salt Spray:                              | MIL-STD810F/ASTM B117                             |
| Operating Relative Humidity:             | Up to 98%   |
| Storage Humidity:                        | 5% to 95% - non-condensing                        |
| Storage Temperature:                     | -40°C to +80°C                                    |
| Flammability Rating:                     | UL 94-HB<br>ECE-R118.02 Certified cables          |
| Impact resistance:                       | IK 10   |
| Product Safety & Environmental:          | Complies with CE, EN, CSA, RoHS and IEC standards |



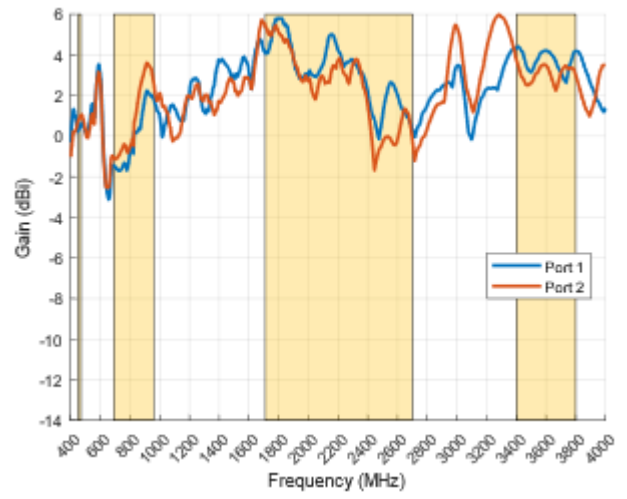
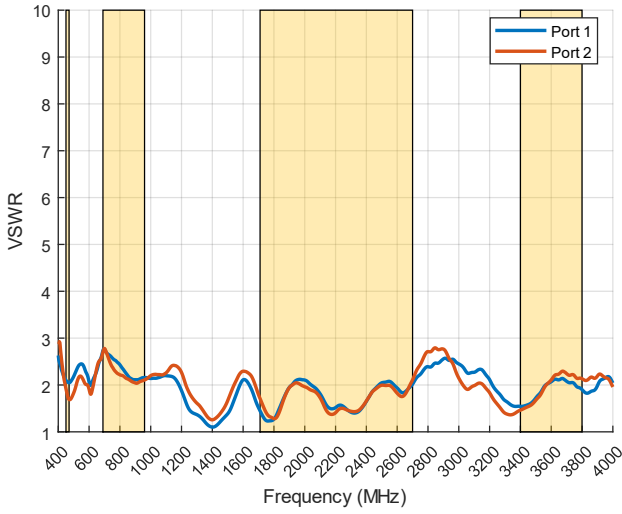
**Technical Drawings**



**Antenna Performance Plots**

**VSWR: Cellular Antenna**

**Gain: Cellular Antenna**



**Voltage Standing Wave Ratio (VSWR)\***

VSWR is a measure of how efficiently radio-frequency power is transmitted from a power source, through a transmission line, into a load. In an ideal system, 100% of the energy is transmitted which corresponds to a VSWR of 1:1.

The MIMO-3-V2-12 delivers superior performance across all bands with a VSWR of  $\leq 2.5:1$

\* Measured with 2m low loss cable

**Gain in dBi**

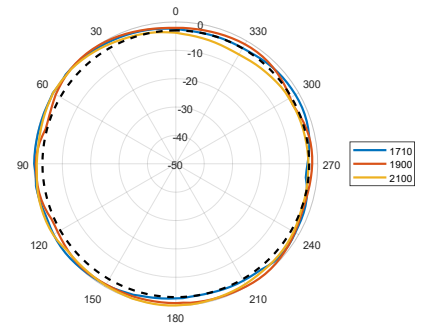
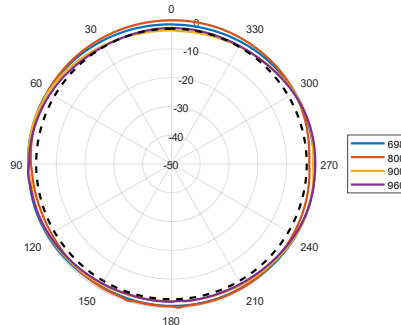
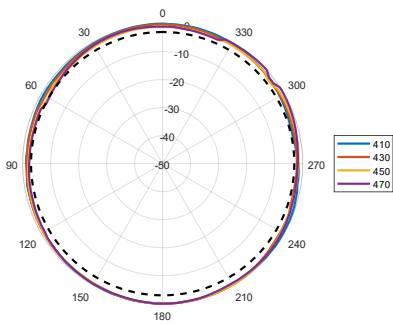
5.8 dBi is the peak gain across all bands from 410-470, 690-960, 1710-2700 & 3400-3800 MHz

**Radiation Patterns – Cellular**

**Azimuth (Top View): 410–470 MHz**

**Azimuth (Top View): 690–960 MHz**

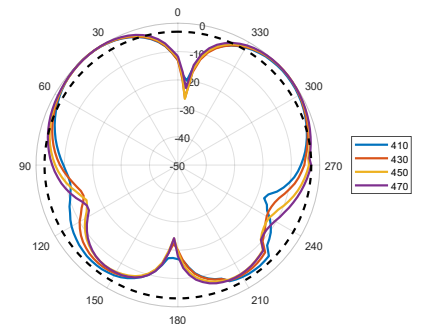
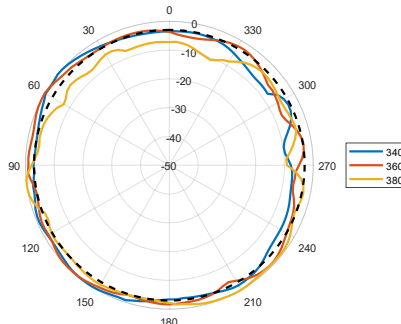
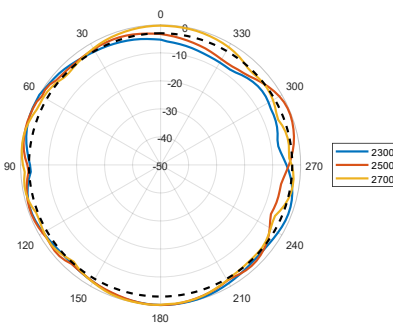
**Azimuth (Top View): 1710–2100 MHz**



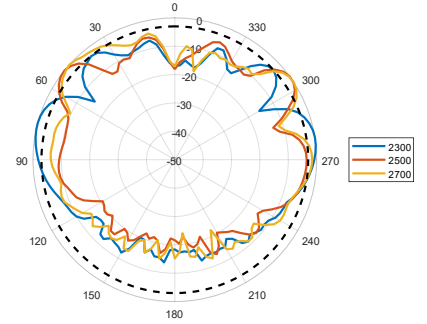
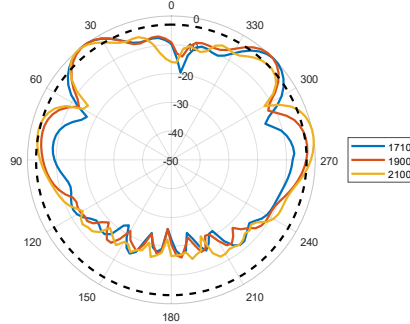
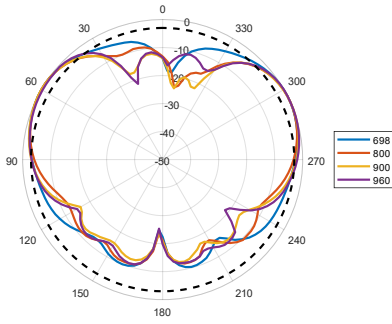
**Azimuth (Top View): 2300–2700 MHz**

**Azimuth (Top View): 3400–3800 MHz**

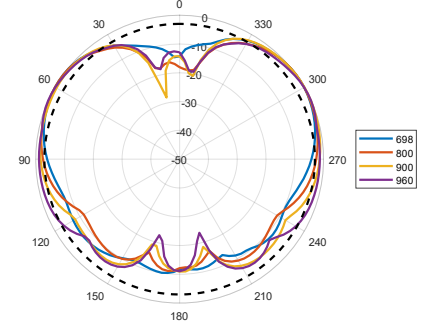
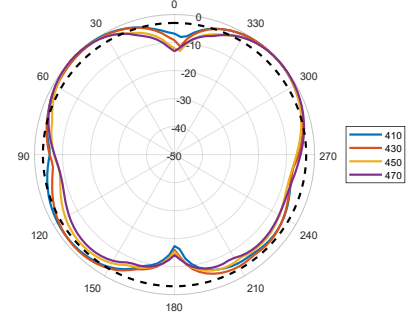
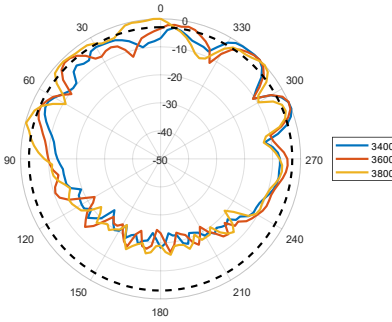
**Elevation (Side View): 410–470 MHz**



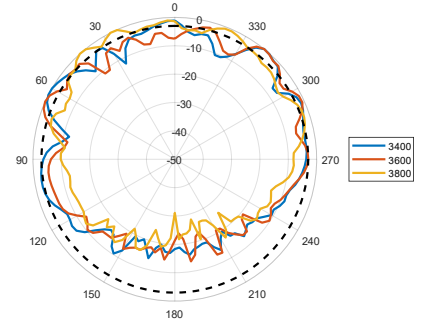
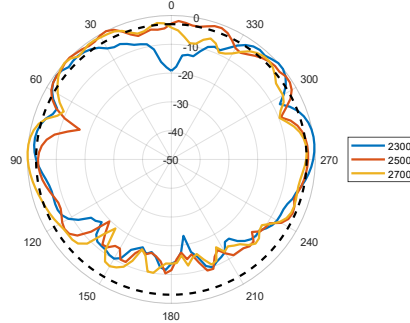
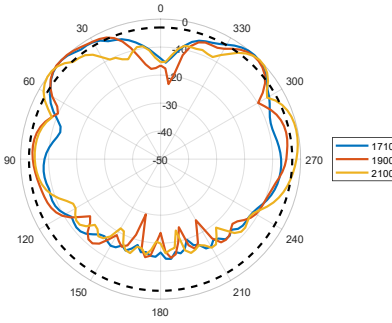
**Elevation1 (Side View): 690–960 MHz      Elevation1 (Side View): 1710–2100 MHz      Elevation1 (Side View): 2300–2700 MHz**



**Elevation1 (Side View): 3400–3800 MHz      Elevation2 (Side View): 410–470 MHz      Elevation2 (Side View): 690–960 MHz**



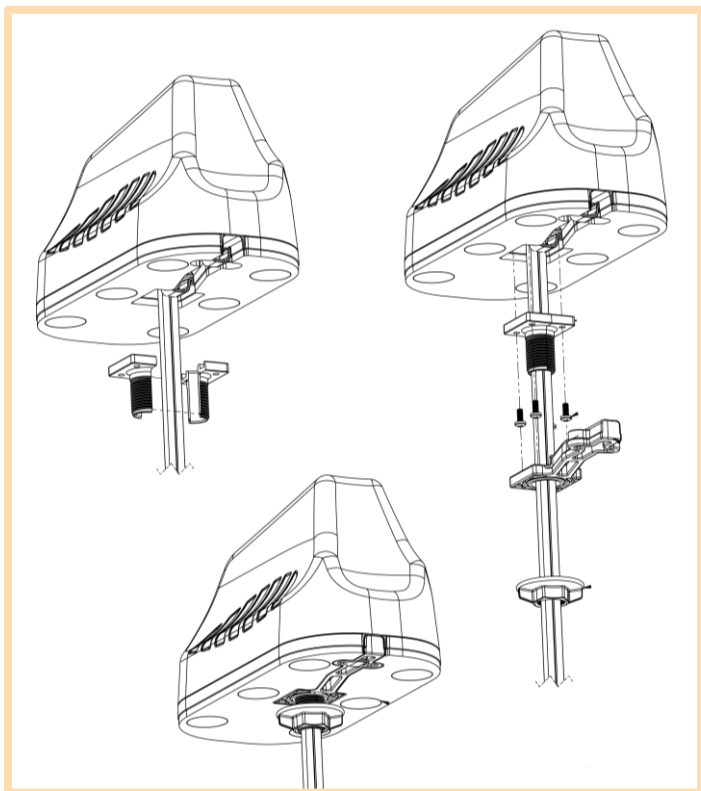
**Elevation2 (Side View): 1710–2100 MHz      Elevation2 (Side View): 2300–2700 MHz      Elevation2 (Side View): 3400–3800 MHz**



**Mounting Options**

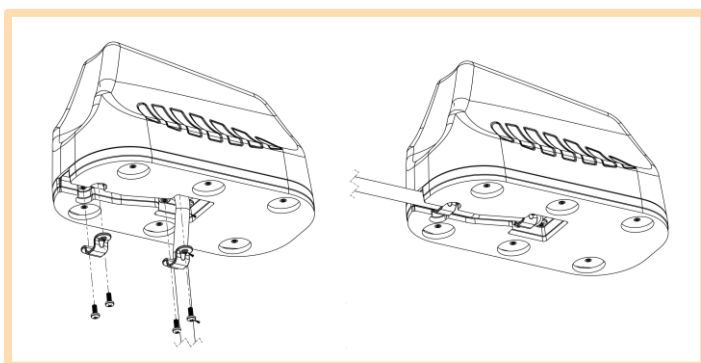
**Standard Spigot Mount**

Threaded Spigot Mounting



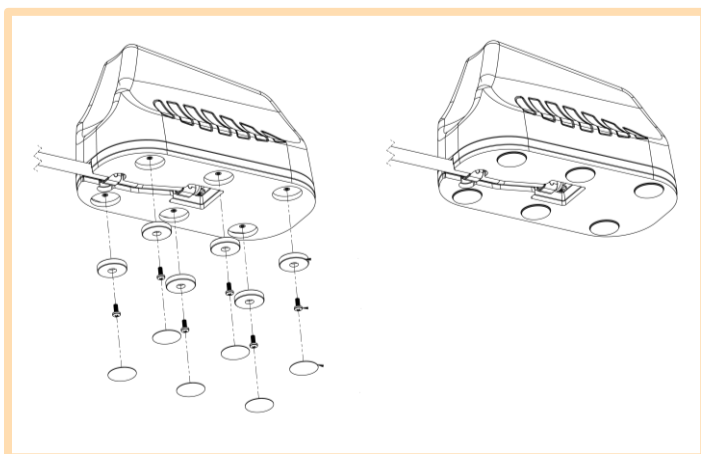
**Surface Mount**

Adhesive Surface Mounting



**Magnetic Mount**

Optional Magnetic Base Kit





## Additional Accessories



**A-MBK-0001-V1.0**

Magnetic Base Kit



Various Cable Extensions Available

## Contact Poynting

### **Poynting Antennas (Pty) Ltd - Head Office**

Unit 4, N1 Industrial Park  
Landmarks Avenue,  
Samrand, 0157  
South Africa

**Phone:** +27 (0) 12 657 0050

**E-mail:** sales@poynting.co.za

### **Poynting Europe**

Regus Business Center Neue Messe Riem  
Kronstadter Straße 4  
81677 München  
Germany

**Phone:** +49 89 208026538

**E-mail:** sales-europe@poynting.tech