

DSi6 - Evo

Stay connected, wherever you are.



VSAT Evo-Series



Evolution Series

EPiK®

DSi6 - Evo

3-Axis Stabilized Maritime VSAT antenna for Ku-Band Services with 60 cm Dish Diameter

Easy installation

Simple 3-wire-coax cable connection between ODU and IDU

Remote Management Access

Access, monitor and control the DSi6 from every location in the world. Therefore, a lot of automated system diagnostics including event logging can be done

Diversity Kit Compatibility

No more blind spots by combining the free line of sight ranges of two antennas in one bundle. That will prevent nearly any loss of satellite signals through blockades.

Secured Traffic

If necessary, the whole traffic can be encrypted to ensure sensitive communication and web browsing.

Flexible Networks

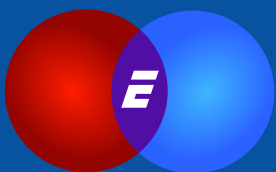
Configure three different networks to set variable prioritizations, handle each network separated and set up various user rights.

Modem Platforms

The DSi6 - Evo is compatible with various modems such as STM, iDirect, Satnet, Hughes, Paradise Datacom, Romantis...

EPAK® Evolution

Most precise satellite pointing accuracy thanks to the combination of two different tracking systems, an Electronic Beamforming (EBF) Gyro together with a 3D Gyro module.



Evolution Series

EPAK®

Impressed by our DSi9 Ku? Than you will love her smaller and also impressive sister as well: the **EPAK® DSi6 - Evo**.

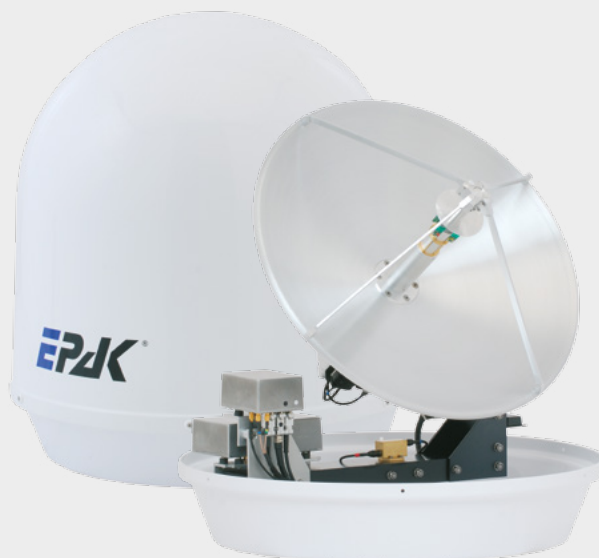
Like all VSAT systems within the DSi-Series, the DSi6 - Evo is specifically designed to meet even the hardest requirements in harsh seas. With its automated polarization tracking, the DSi6 - Evo guarantees excellent network availabilities even under the most challenging conditions.

The DSi6 - Evo combines the advantage of contained weight and dimensions with an astonishing tracking speed and all the reliability of the Ku-band, in order to give to its users the best internet experience possible.

DSi6 - Evo Benefits:

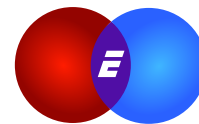
- **Evolution:** 2 Gyro techniques together for a perfect orientation
- Elevation range from -10° to 90°
- More affordable hardware solution
- Automatic satellite acquisition

Light and robust, the DSi6 - Evo is the 60 cm diameter dish antenna that meets the requirements of all those users with medium-high-scale data volume demands.



DSi6 - Evo

3-Axis stabilized maritime VSAT antenna for Ku-Band services
with 60 cm Dish Diameter



Evolution Series

Dimensions & Weight

Radome (D x H)	73 x 81 cm (28.74" x 31.88")
Weight (incl. Radome)	37 kg (81.57 lbs)

Shipping dimensions

Box type	wooden box
With accessories	82 x 82 x 150 cm - 145 kg (32.28" x 32.28" x 59.06" - 319 lbs)
Without accessories	82 x 82 x 104 cm - 93 kg (32.28" x 32.28" x 40.94" - 204.6 lbs)

Reflector & Feed Subsystem

Reflector diameter	60 cm (23.62")
Minimum E.I.R.P.	46 dBW
LNB	Universal (9.75/10.6 GHz, PLL stabilized, internal Ref.)
BUC	Standard Ku (LOF 13.05 GHz), PLL stabilized, external Ref.
Available BUC power	4 Watt
RX Frequency	10.7 - 12.75 GHz (LOF 9.75/10.6 GHz)
TX Frequency	14.0 - 14.5 GHz (LOF 13.05 GHz)
RX/TX polarisation	X-Pol

Drive Subsystem

Tracking sensor	EPAK® Evo: Electronic Beamforming (EBF-Gyro) + 3D Gyro module
Maximum tracking speed	up to 30° /s (each axis)
Azimuth movement	unlimited
Elevation movement	-10° to 90°
Skew movement	Automated ±120° from zero point
Motion system	3-axis servo belt

Power Specification

Power supply	24 VDC via Antenna Control Unit (ACU)
Power consumption	20-40 VA (only ODU), BUC excluded

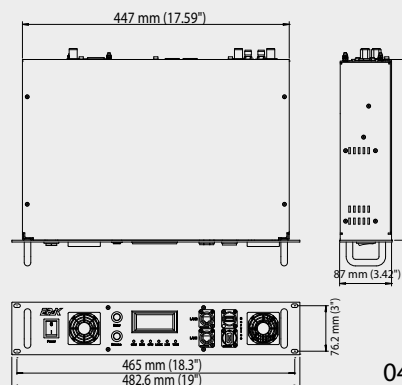
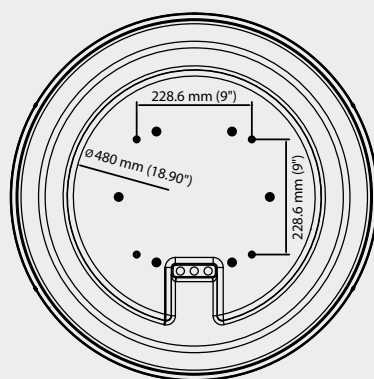
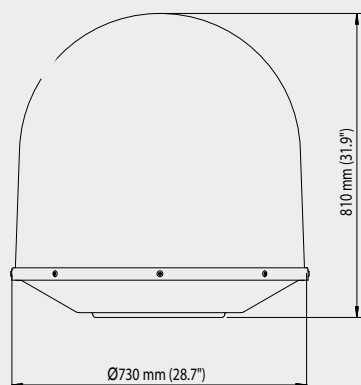
Miscellaneous

Lock on time	typ. 30 sec.
Satellite acquisition	Completely automated by DVB-S2-Receiver and Modem confirmation (according to ETSI 302 340)
EPAK Diversity-Kit compatible	✓
Operation temperature	-20°C to 55°C
Storage temperature	-30°C to 85°C

Antenna Control Unit

Power supply	220 VAC - 50 Hz
Power consumption	100 VA
Operating temperature	-20° to 55°C

Radome and ACU Dimensions



EPAK GmbH
Spinnereistr. 7

04179 Leipzig, Germany
Phone +49 (0) 341 2 12 02 60
Fax +49 (0) 341 2 12 02 66