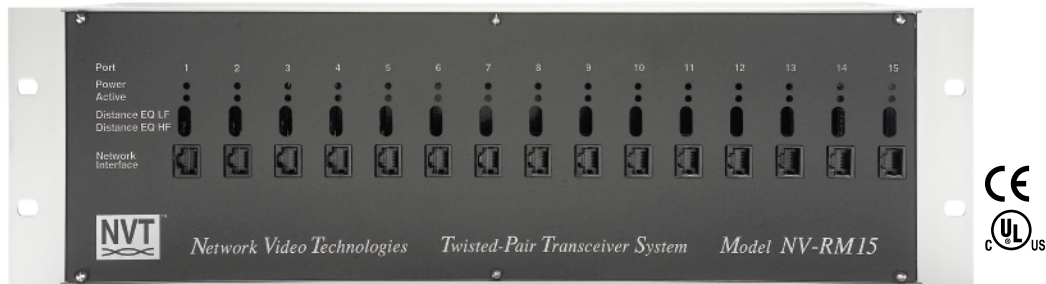




Model NV-RM 15 Rackmount Video/Audio Transceiver System



Features:

- Ideal for Video/Audio distribution or video-conferencing connectivity
- Standard 19in (482mm) 5.25in (133mm) 3U high
- Supports up to fifteen NV-418AR or NV-518AR Video/Audio Transceivers
- No cooling fans required
- Power supply included
- Transceivers sold separately
- Limited lifetime warranty

The NVT Model NV-RM 15 Rackmount Video/Audio Transceiver System allows the co-location of up to fifteen NVT Video/Audio Transceivers in one compact enclosure. Panels can reside in the same rack as other equipment, such as switchers, multiplexers, video conferencing equipment, etc.

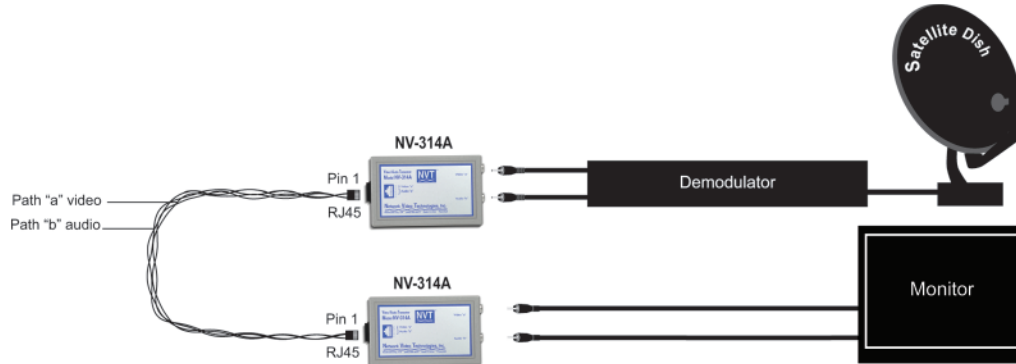
Power is provided by an external Class II transformer (included). Total power consumption is less than 25 watts, allowing installation in wiring closets or other high-density locations.

Network Video Technologies
4005 Bohannon Drive • Menlo Park, CA 94025 • USA
(+1) 650.462.8100 • FAX (+1) 650.326.1940
nvt.com • www.nvt.com/email

Copyright © 2010 NVT, Inc.
410-64-1-L



Video and audio



Two-way video and audio

