

IP MIGRATION MADE SIMPLE

NVT PHYBRIDGE FLEX SWITCH DATA SHEET



Fast Ethernet and PoE++ (50 watts per port) over 2 or 4 pair UTP with over 1,600ft (500m) Reach

The FLEX managed switch delivers fast Ethernet and PoE++ (50 watts per port) over multiple pairs of UTP cable with five times the reach of traditional switches.

FLEX was designed to make the migration to IP quick, easy and cost effective by leveraging an existing 2 or 4 pair UTP infrastructure. Benefits include:

- Accelerating your return on investment by reducing infrastructure costs.
- Collapsing planning and deployment time.
- Eliminating infrastructure barriers, risks, disruption and costs.
- Creating a robust IP platform that is easy to configure, deploy and manage.

Unlike other Network Switches, FLEX Delivers:

Speed, Reach and Power

The Flex switch can operate in standard mode (without an adapter) and long reach PoE mode for extended reach. One switch, many options.

Cable Type	Distance	Bandwidth Speed	Adapter Required
2 Pair CAT5	328ft/100m	10/100Mbps	No
2 Pair 24 AWG UTP	984ft/300m	100Mbps	Yes
4 Pair 24 AWG UTP	1,476ft/450m	100Mbps	Yes
4 Pair CAT5	1,640ft/500m	100Mbps	Yes

Industry Leading PowerWISE® Technology

Power sharing for redundancy, load balancing, AC/DC options, hot swappable power supply and auto sensing 100-240VAC delivering 500 to 1,000 watts of power.

FLEX is one of the most energy efficient switches on the market consuming less than 20 watts of power to operate.

Managed Switch with Plug-and-Play Option

FLEX can operate in transparent mode functioning as a bridge allowing for plug-and-play deployment or as a fully managed switch with high value features including:

- Power management by port for easy reset of ports.
- Port MAC locking for higher security and peace of mind.
- Simple Network Manager, an intuitive web GUI that makes managing the switch a breeze.

FLEX Switch

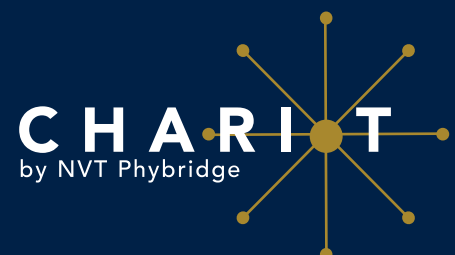
At-a-Glance

The FLEX switch is a high-performing, enterprise grade, 24 Port managed switch that helps maximize your return on investment and reduce your total cost of ownership.

FLEX transforms 2 pair or 4 pair UTP infrastructure into a robust IP platform with power ideal for IP cameras and other IEEE compliant IP devices.

Advantages

- Quick, easy and cost effective IP migration
- Robust enterprise grade switch features ensuring uptime
- Simple GUI interface making configuring, managing and troubleshooting the network a breeze



NVT PHYBRIDGE

FLEX SWITCH

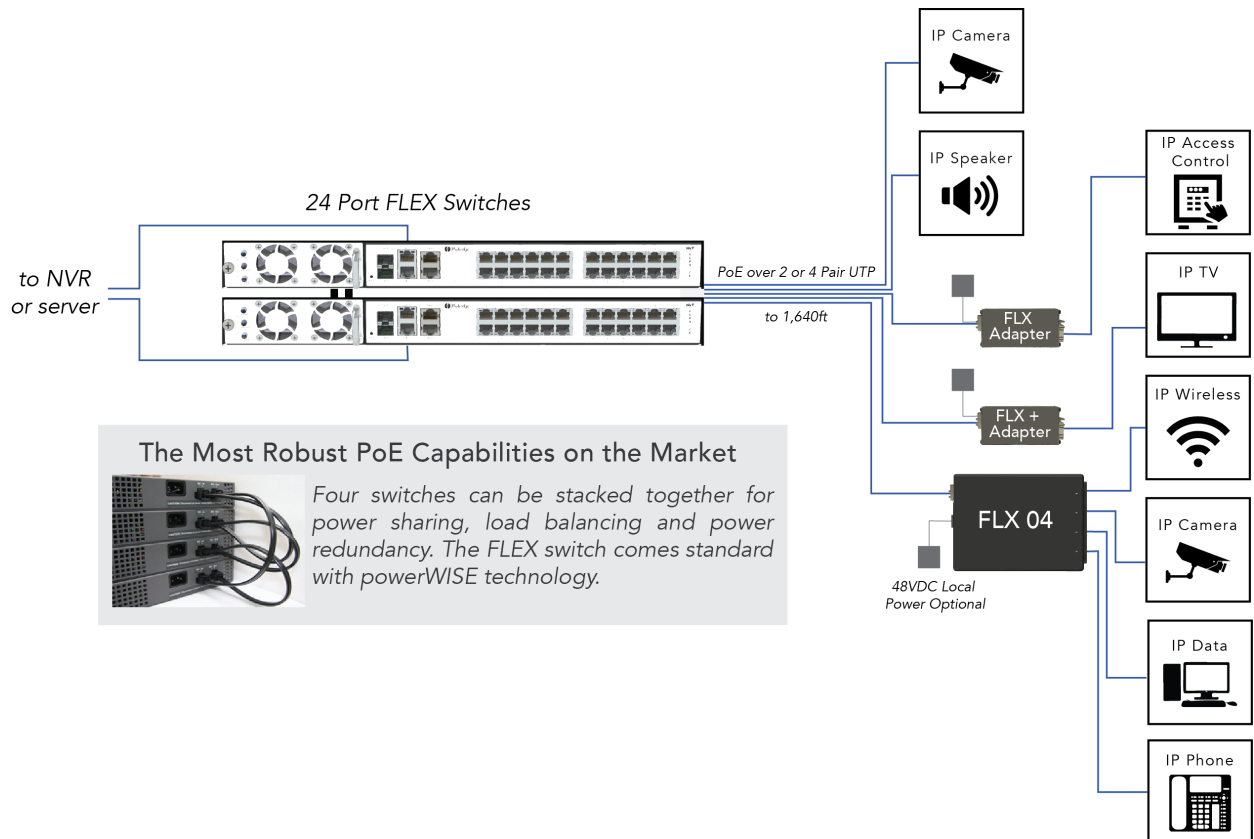
DATA SHEET

FLEX Switch Technical Specifications

Model	NV-FLX-024
Dimensions	19 inches x 1U without rack ears: <ul style="list-style-type: none"> 1.75" x 17.13" x 9.92" (HxWxD) 4.45cm x 43.5cm x 25.2cm (HxWxD)
Weight	7.36 lb. (3.34 kg)
Mounting	Standalone, rack or shelf-mountable; 2 brackets included for installation
Processor	Broadcom BCM56018 switch processor, 266MHz
Memory	32MB FLASH, 64MB DDR SDRAM
Interface: Ethernet Uplink (Trunk IP)	Maximum 2 uplinks, each 1Gb/s (full duplex), either: <ul style="list-style-type: none"> 2 mini-GBIC ports: 1000 Base-TX/SX/LX/EX/ZX/LHX (determined by SFP, transceiver module installed), Ethernet IEEE 802.3z, fiber optic cable; or 2 RJ45 ports: 10/100/1000 Base-T auto-sensing, independent speed selection, Ethernet IEEE 802.3, CAT5e copper cable
Interface: Downlink (PoE and IP to Adapter)	24 x RJ45 Jacks Speed: 10/100Mb/s (full duplex) PoE Power: 50 Watts Maximum (See Appendix)

Management	1 LAN port (MGMT): RJ45, 10/100 Base-T auto-sensing, IEEE 802.3 1 UART console port: RJ45 (RJ45 to DB9 cable included)
Power Supply	Hot-Swappable Power Supply Unit Auto-sensing 100-240VAC, 50/60 Hz Power Output: 500W max at 100VAC, 1000W max at 240VAC *Optional 1000W and 1600W power supplies available at additional cost.
Power Consumption	20W
Power Injection (PoE)	DC voltage: 48VDC to 56VDC IEEE 802.3af/at PoE++ (50 Watts) compatible
PowerWISE® Power Sharing	2 male connectors (rear) DC IN and DC OUT: 48VDC to 56VDC
Operating temperature	14°F to 122°F (-10°C to 50°C)
Humidity	10% to 95% (non-condensing) at 95°F (35°C)

Specifications subject to change without notice.



The Most Robust PoE Capabilities on the Market



Four switches can be stacked together for power sharing, load balancing and power redundancy. The FLEX switch comes standard with powerWISE technology.